



**Audio Specialties Group
Products Division**

**SL-10
Visual Call Indicator
Operators Guide**



PRECAUTIONS

- Unplug the SL-10 from the power (mains) before opening the case.
- Do not expose SL-10 to excessive moisture.
- Avoid extended exposure to direct sunlight. (The strobe light lens is not UV protected and extended exposure to direct sunlight will rapidly fade the amber color to clear.)

Description

The ASG Products SL-10 Visual Call Indicator is a strobe light triggered by 1) An intercom "call" signal, or 2) a contact closure. The strobe light flashes at a rate of about two flashes per second and can provide a silent, but highly visible alert signal to personnel. This visual alert signal is especially useful in high noise level environments or in areas when extreme sound isolation is required. These environments include recording studios, theater, and live sound/concerts. Another application environment is in industry, since the SL-10 Indicator can also be triggered with a simple contact closure. The intercom "call" signal that can trigger the SL-10 are: 1) An RTS 20 kilohertz call signal, 2) A Clear-Com DC call signal, or 3) An intercom matrix that has a relay closure available. Any device that has a contact closure can trigger the SL-10.

The SL-10 is powered by a 120 volt 50/60 cycle AC power line (Plugs into the wall). Optionally, a powered SL-10 can power a second SL-10 via a XLR type microphone cable. This option requires opening the unit and moving some jumpers. This is described in detail below.

Installation

Position the SL-10 within 6 feet of a 120VAC mains power outlet.

For RTS or Clear-Com intercom triggering, connect the SL-10 via one of its XLR type rear panel connectors to an intercom system. Use standard microphone cable. Note that pin 1 and the connector shell should NOT be connected.

XLR3 Male and Female Connector Pin-out Details

Pin #1 Circuit ground

Pin #2 RTS CH-1+Power, Clear-Com Power

Pin #3 RTS CH-2, Clear-Com Audio

Use an IEC style power cord to connect the mains power to the SL-10. Connect to a 120VAC socket only.

Operation

RTS

Set the left hand **MODE SELECT** front panel toggle switch to the RTS position, set the right hand **MODE SELECT** front panel toggle switch to **CH-1** for channel 1 operation, and **CH-2** for channel 2 operation.

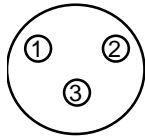
Clear-Com

Set the left hand **MODE SELECT** front panel toggle switch to the **CLEAR-COM** position, set the right hand **MODE SELECT** front panel toggle switch to either **CH-1** or **CH-2**. Note that CLEAR-COM only supports one channel on a single XLR cable, therefore the right hand **MODE SELECT** front panel toggle switch has no effect.

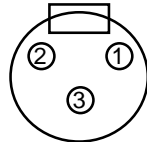
Matrix and Industrial (Contact Closure)

The SL-10 can be triggered without using an intercom. To accomplish this, first, set the left hand **MODE SELECT** front panel toggle switch to the **CLEARCOM** position. Then, connect pins 2 and 3 of either XLR3 INTERCOM CONNECTORS to a pair of normally open, isolated contacts (respectively). The voltage across the contacts will range from 18 volts DC to 24 volts DC. The short circuit current will range from 1.8 to 2.4 milliamperes. See the sketch below to determine the pin numbers of the XLR connectors.

MALE XLR3



FEMALE XLR



Remote Powering of a SL-10 unit "Stand Alone Operation"

Stand alone operation requires only one of the SL-10s to be plugged into primary AC power. This Local unit powers the Remote unit through the interconnecting cable. The left hand **MODE SELECT** front panel toggle switch front panel switch must be set to the **CLEAR-COM** position for the remote power capability to function. Additionally, internal jumpers must be set to configure each unit as the local or remote device.

Internal Adjustments

Place the jumper in the **LOCAL** position for the unit that is providing the power. Place the jumper in the **REMOTE** position for the unit that is being powered remotely.

Specifications

Environmental

Operating Temperature: 0 to 50 degrees celsius.
Relative Humidity: 10 to 90 percent non-condensing.

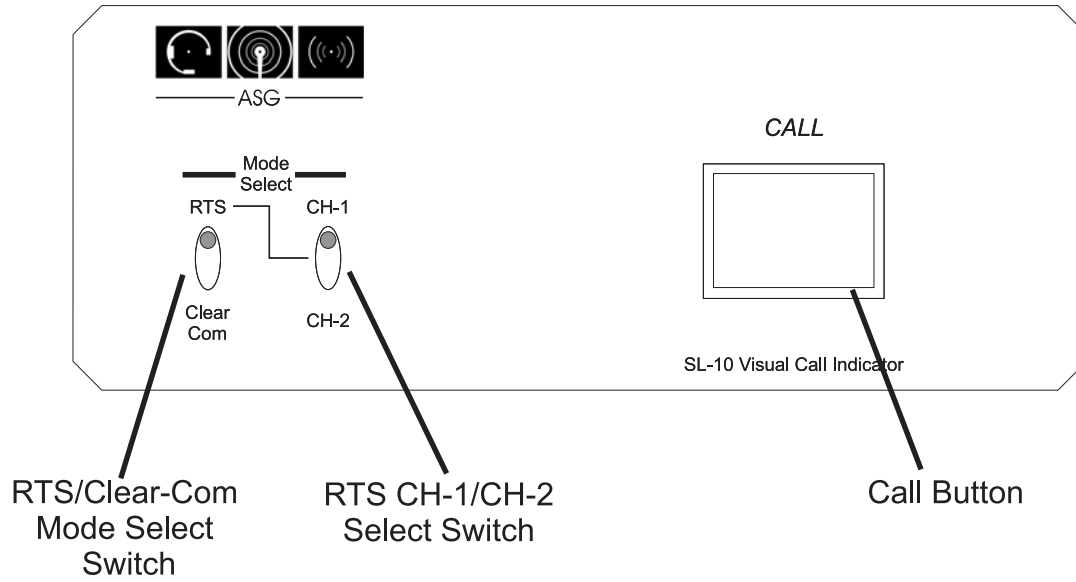
Electrical

Signaling Operating Level: Compatible with Telex/RTS and Clear-Com intercom systems
Power Requirements: 120V AC
Power Fuse: 5mmX20mm fast acting fuse 1 ampere/250 volts.

Mechanical

Dimensions: (Overall including connectors)
Height: 6.75" including strobe
Width: 5.3"
Depth: 5.35" including switches
Weight: 1.42 lbs
Finish: ASG Grey powder coat

SL-10 Front Panel



SL-10 Rear Panel

