



Audio Specialties Group
Products Division

MAS-522
4x1 Filtered Receive Antenna Combiner
Technical Specifications



Rev-0

TABLE OF CONTENTS

SECTION 1	INTRODUCTION.....	3
SECTION 2	FEATURES.....	3
SECTION 3	OPERATION	3
3.2	PANEL LAYOUTS	3
	INTERNAL DIAGRAM	4
	TYPICAL APPLICATION	4
SECTION 4	SPECIFICATIONS	5

SECTION 1 INTRODUCTION

The MAS-522 4x1 Filtered Receive Antenna Combiner is a 1-HP (horizontal pitch) module that is compatible with the ASG MAS-Rack Series 500 system. It is a passive device used for combining into a single connector, up to four receive antenna inputs.

SECTION 2 FEATURES

Each input is individually band-pass filtered at user specified frequencies. Typical applications use identical filtering for each input which allows any input to be used for any of the receive antennas. While filtering on the output, post combining, is cheaper and simpler, initial, broad spectrum filtering is employed to eliminate as many un-wanted signals as possible prior to initial combining. The output stage has additional tunable filtering to further enhance the rejection of unwanted band energy.

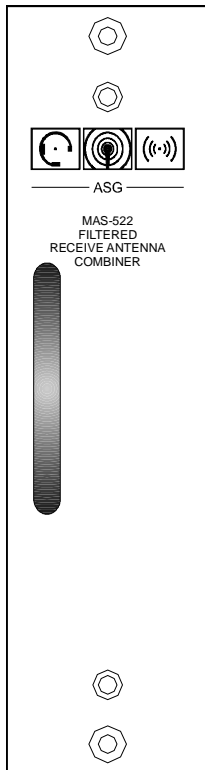
SECTION 3 OPERATION

3.1.1 Connections

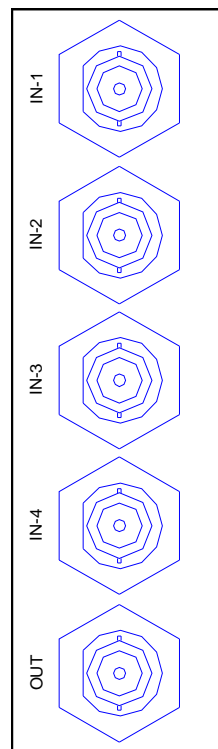
All connections are via BNC type connectors.

3.2 PANEL LAYOUTS

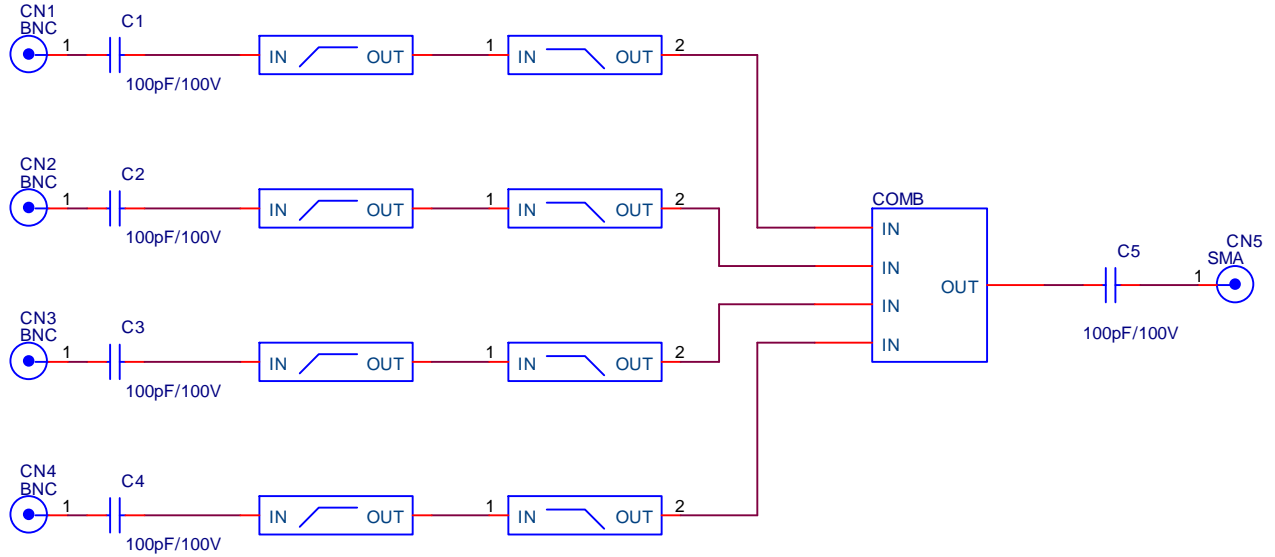
3.2.1 Front Panel Layout



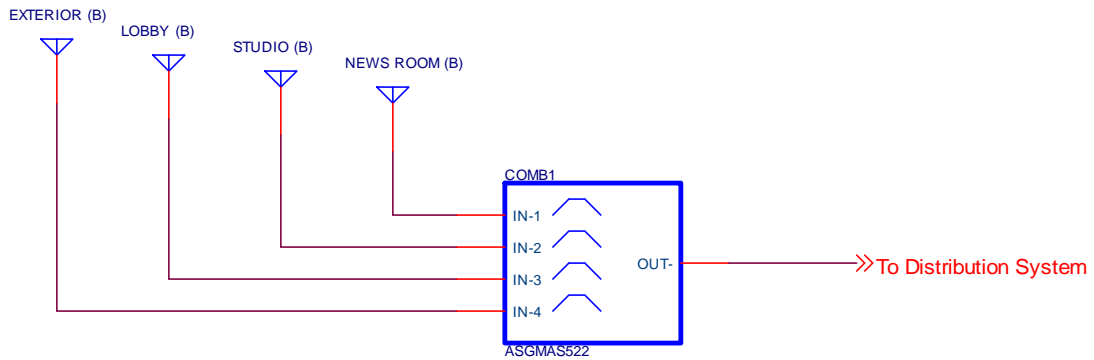
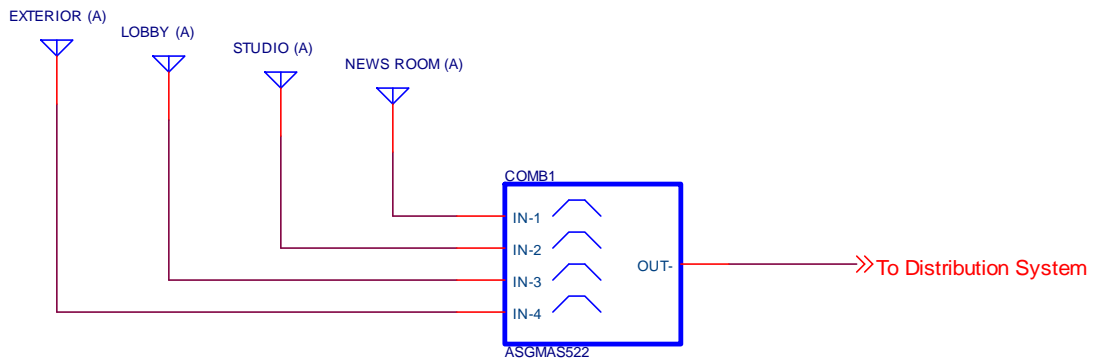
3.2.2 Rear Panel Layout



INTERNAL DIAGRAM



TYPICAL APPLICATION



Typical application featuring four "zones" of coverage for wireless microphone receivers.

SECTION 4 SPECIFICATIONS

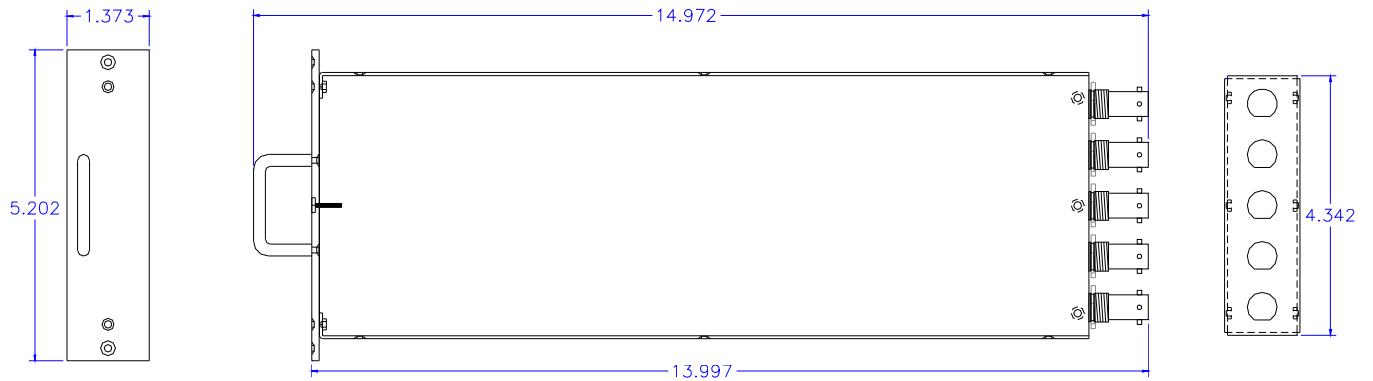
4.1 Electrical Specifications

RF Bandwidth:	100MHz to 1GHz
Noise Figure:	na
Maximum output:	na
Maximum RF Input level:	+5dBm with no damage
Output Level:	-8dBm below input signal amplitude

4.3 Operational Conditions

Temperature 20 Degrees Celsius to 60 Degrees Celsius

4.4 Mechanical Parameters



Specifications subject to change without notice.

Measured Performance (MAS-522)

Serial # _____

Test Parameters

Average Loss across _____ MHz to _____ MHz

Input #1 _____

Input #2 _____

Input #3 _____

Input #4 _____

HPF _____

LPF _____