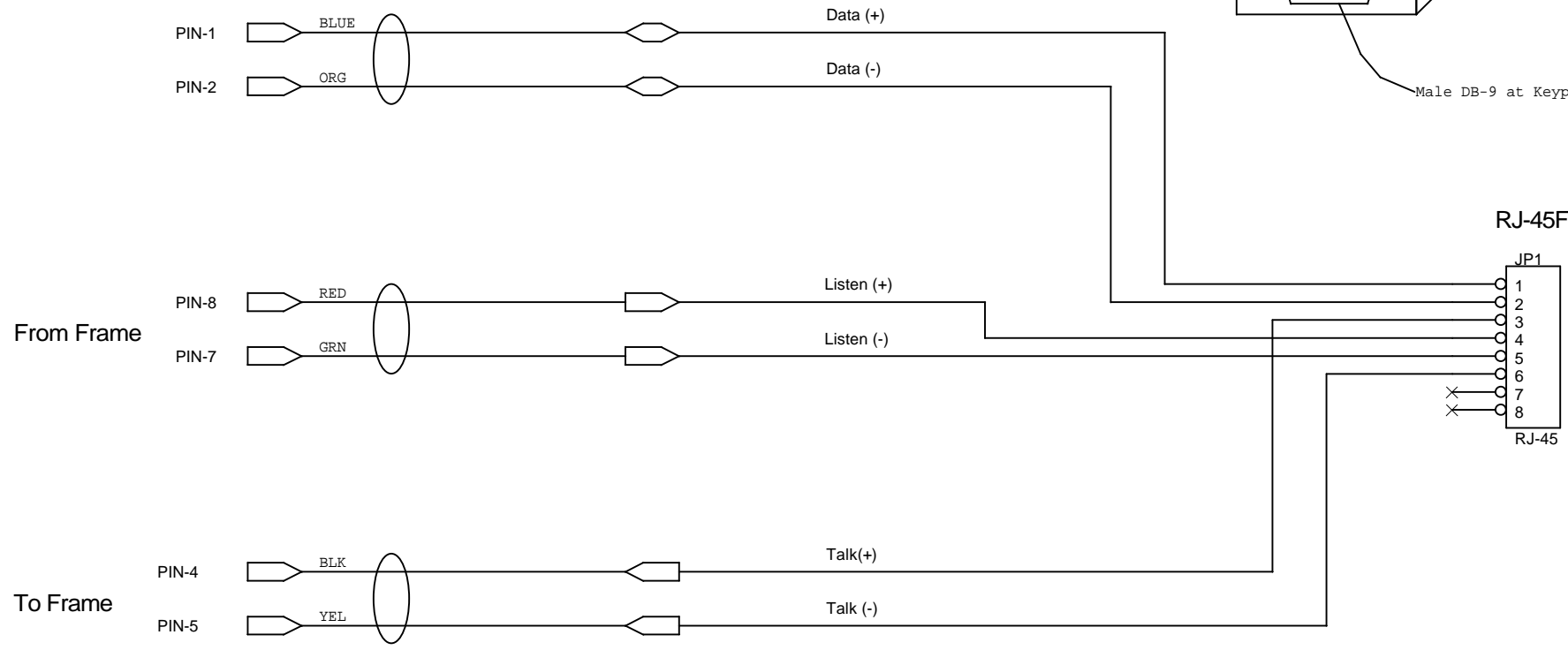
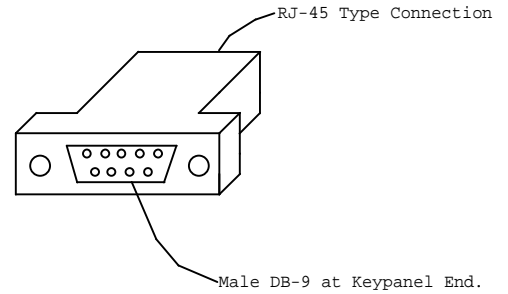


Pair-1 Port Output (Listen or "FROM" frame)
 Pair-2 DATA
 Pair-3 Port Input (Talk or "TO" frame)
 Pair-4 Not Used

ADAM Keypanel
 DB-9M



Drawing shows the wiring diagram which will allow Telex ADAM Keypanels to connect using RJ-45 T568B standard cables and accessories. The pin-out choices allow Clear-Com Matrix-3 accessories to operate as well since the audio pairs were decided on in accordance with the Clear-Com standard.

Drawn by: Andrew McHaddad

| | | |
|--|----------------------------------|----------|
| Audio Specialties Group (ASG) | | |
| Title Telex ADAM RJ45 Convention - Keypanel End | | |
| Size A | Document Number 1001-1 | Rev 1 |
| Date: Thursday, April 25, 2002 | Sheet 2 | of 3 |